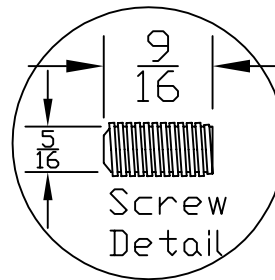
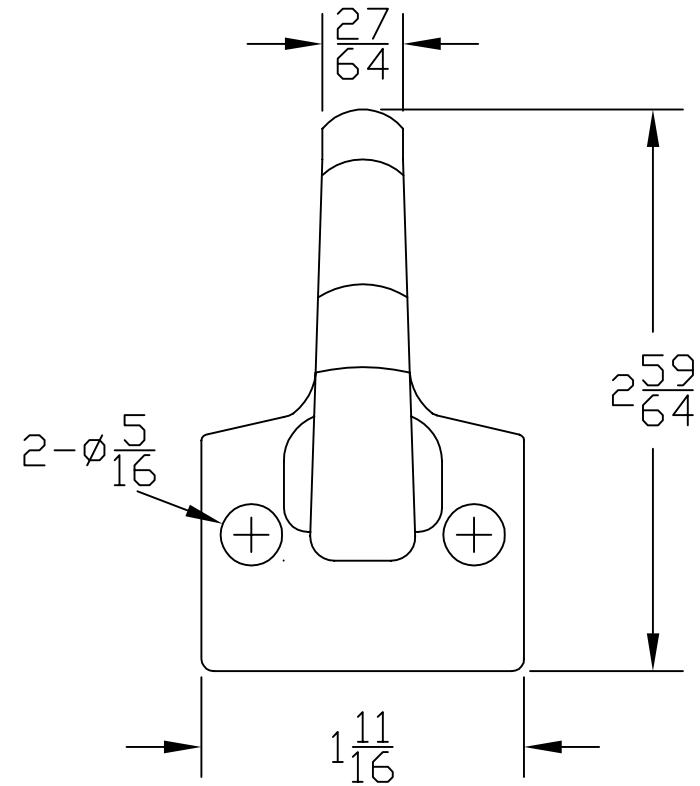
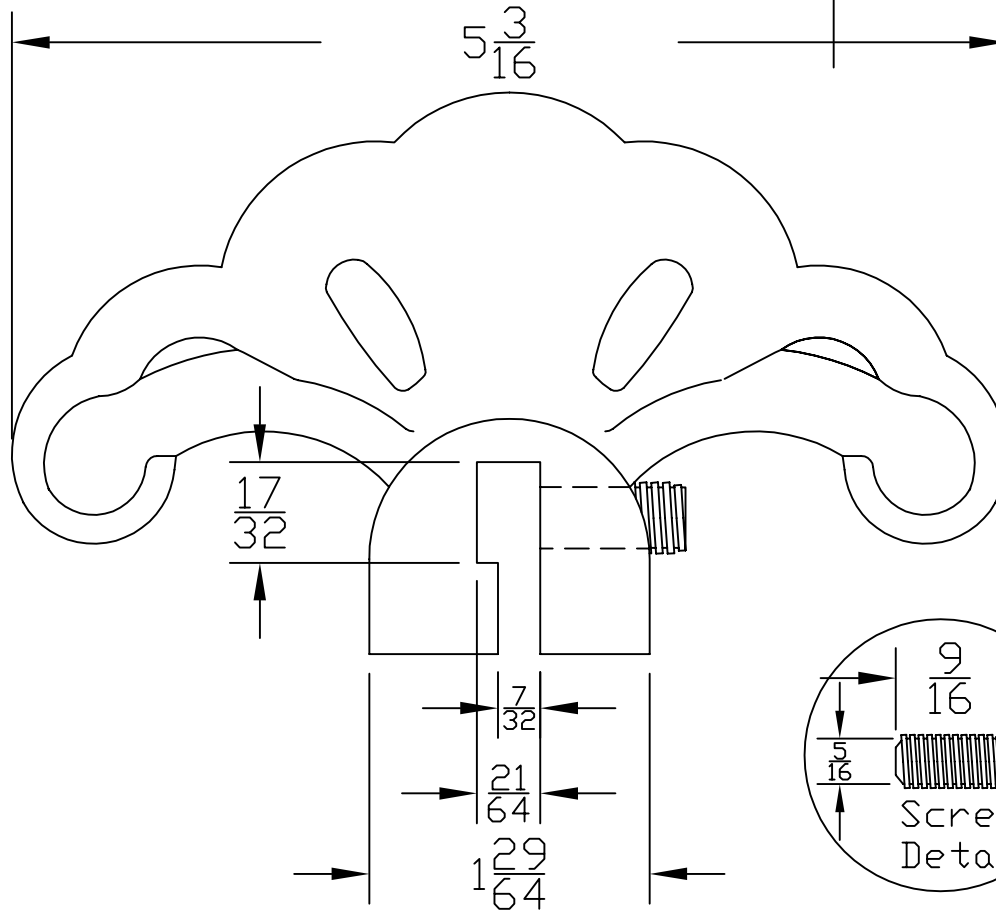


Notes:

1. Surface shall be visually free from scratches, lines, spots or other imperfections.

REVISIONS

ZONE	REV	DESCRIPTION	DATE	APPROVED
------	-----	-------------	------	----------



MAT'L List	*T'-Thickness	MAT'L List	*T'-Thickness
MF ALUM			
BLACK ALUM			

General Tolerance
 x.x' = ±0.01
 x/x" = ±0.0025

Work Center = Purchased

Drawn By: Blake Holmes
 DATE: 7/3/2006

BERGER
 Quality Building Products Since 1874

SG-1 Snow Guard

SIZE A	FSCM NO.	DWG NO. (SG-1xx)	REV —
SCALE 1"=1"	SHEET 1 of 1		

This drawing contains proprietary designs, specifications, and notes and is the property of Berger Building Products, Inc.. The information may be used solely for purposes designated by BBPI to evaluate tooling, part production, design feasibility or modification. It may not be used for any other purpose without permission of BBPI.