

# Cut Sheet - PD30Z

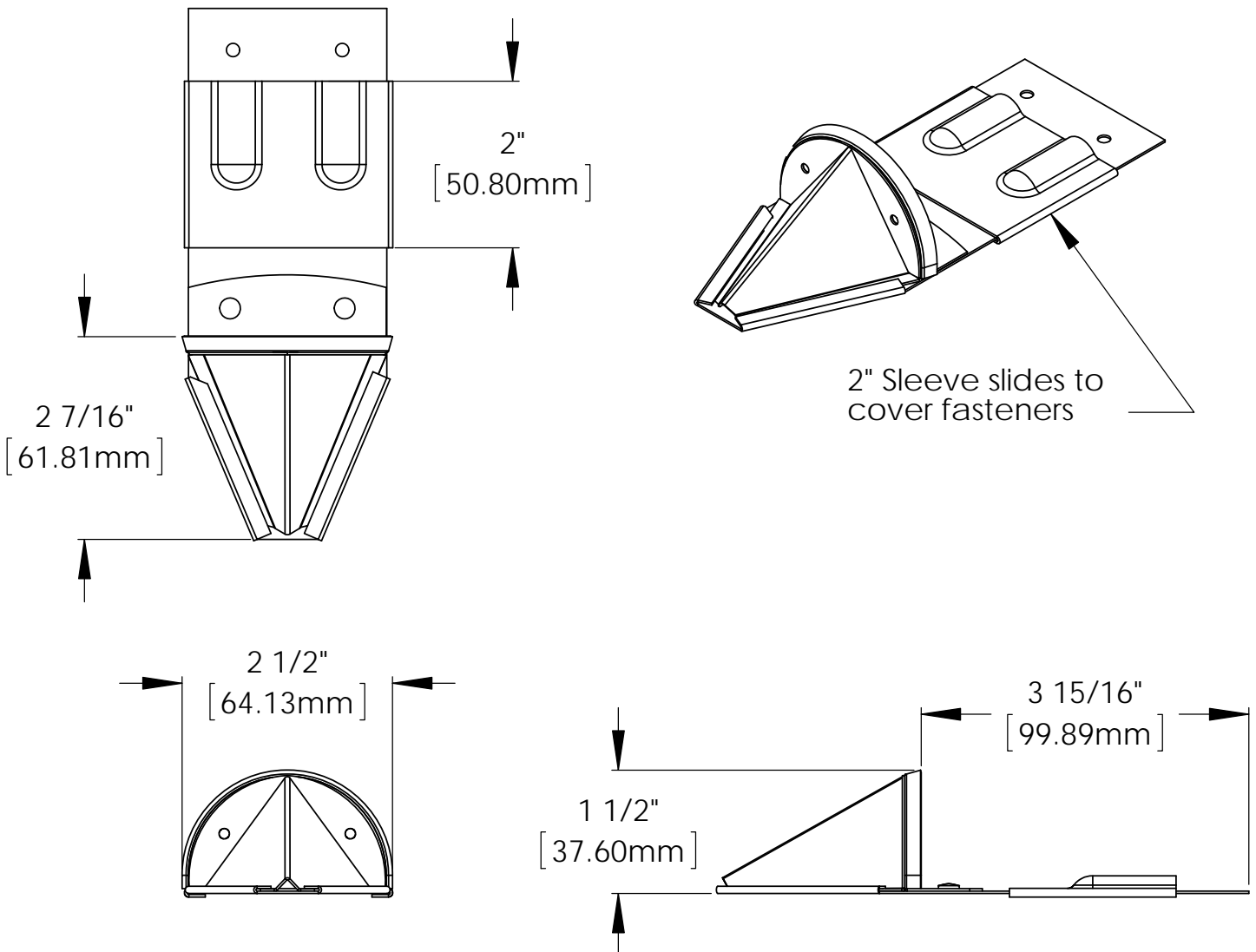
1. Installation to be completed in accordance with manufacturer's written specifications and installation instructions.
2. See spec sheet or contact manufacturer for detailed material, finishes, and configuration options.
3. Contact manufacturer for detailed layout.
4. Do not scale drawings.
5. Subject to change without notice.
6. Aluminum half-round pad-style snow guards will have a third button connecting the pad to the strap.
7. For patent information, visit our [Patent Page](#).

## Available Materials

- |  |   |
|--|---|
| <input type="checkbox"/> Aluminum      | <input type="checkbox"/> Galvalume®         |
| <input type="checkbox"/> Copper        | <input type="checkbox"/> Lead-Coated Copper |
| <input type="checkbox"/> Freedom Gray™ | <input type="checkbox"/> Rheinzink®         |

## Available Finishes

- |   |
|---|
| <input type="checkbox"/> Mill Finish (Standard)   |
| <input type="checkbox"/> Pre-Painted Aluminum<br>(Firestone UnaClad Kynar Color: _____) |
| <input type="checkbox"/> Powder Coated<br>(Tiger Drylac RAL# _____)                     |



289 Harrel Street  
 Morrisville, VT 05661  
 Phone: 1.888.766.4273  
 Fax: 1.888.766.9994  
 Email: [Info@alpinenowguards.com](mailto:Info@alpinenowguards.com)

Scale: 1:2

8/1/2020